

---

## HP DesignJet 755CM, 750C Plus and 700 Printers Data Sheet

*General-purpose large-format  
printing for networked  
workgroups*

### HP DesignJet 755CM Printer

- Color, plug-and-play PostScript printer for CAD and corporate workgroups
- C3198B (36 inch) \$8,995\*

### HP DesignJet 750C Plus Printer

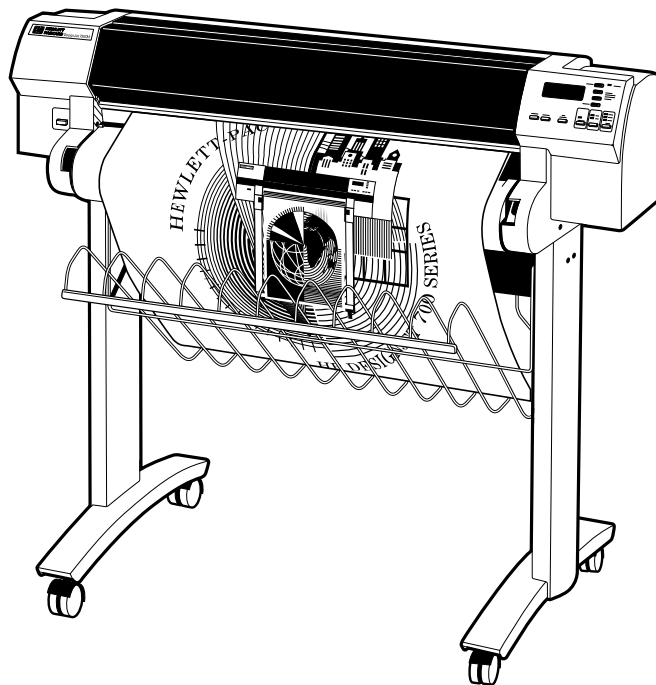
- Color printer for CAD and corporate workgroups
- C4708B (24 inch) \$5,995\*
- C4709B (36 inch) \$6,995\*

### HP DesignJet 700 Printer

- Black-only printer for CAD and corporate workgroups
- C4705B (24 inch) \$4,495\*
- C4706B (36 inch) \$5,495\*

### Highlights

- Crisp line drawings and near-photo-quality images
- Ideal for line drawings, layouts, illustrations, and presentations
- True 600-dpi black, 600-dpi-addressable color line drawings, and 300-dpi color images
- Prints 2- by 3-foot check plots in about 2 minutes, line drawings in about 4 minutes, and images in about 10 minutes
- Up to 16.7 million bold, brilliant colors and dense, dark black deliver presentation-quality output
- Accepts a wide variety of media to handle check plots, final output, presentations, overlays, and archiving
- HP JetDirect interface cards make network integration easy
- Queuing, nesting, roll feed and automatic cutter for efficient unattended printing
- Custom HP-developed drivers for AutoCAD® and Microsoft® Windows® take full advantage of printer features
- HP ZoomSmart scaling technology for large-format output from virtually any Windows application
- HP ColorSmart technology automatically optimizes output for vibrancy, clarity and balance
- Backed by a one-year warranty with free onsite service
- HP DesignJet 755CM printer comes with:
  - HP Color Management Kit with Agfa FotoTune software plus Pantone\*\*, Kodak and Adobe profiles for color matching
  - PostScript drivers for Microsoft Windows and Macintosh



\* U.S. list price

\*\* Pantone, Inc.'s check-standard trademark for color

# HP DesignJet 755CM, 750C Plus and 700 Printers

## Specifications

<b>Print Technology</b>	Color or black-only thermal inkjet
<b>Performance (2 × 3 ft)</b>	Draft prints in about 2 minutes; final-quality, color lines in about 4 minutes; final-quality images in about 10 minutes
<b>Maximum Resolution</b>	Black: 600-dpi; Color: Addressable 600-dpi (lines), 300-dpi (images)
<b>Media Types</b>	Bond, coated and glossy papers and films, vellum, and clear and matte film for black and color; translucent bond for black-only
<b>Media Sizes</b> 36 in Models 24 in Models Maximum Length	Rolls 36- and 24-in wide; Sheets 8.3-in to 36-in wide Rolls 24-in wide; Sheets 8.3-in to 24-in wide Rolls 150 ft; Sheets 64 in
<b>Margins</b>	Leading and trailing edges: 0.39-in for rolls; 0.67-in for sheets; Sides: 0.20-in
<b>Media Handling</b>	Sheet and roll feed, automatic cutter, output bin
<b>Memory</b> HP DesignJet 755CM HP DesignJet 750C Plus HP DesignJet 700	72-MB RAM 8-MB standard/72-MB maximum 4-MB standard/68-MB maximum
<b>Languages</b> HP DesignJet 755CM HP DesignJet 750C Plus and 700	Adobe PostScript Level 2, HP-GL/2, HP-GL, HP RTL Standard: HP-GL/2, HP-GL, HP RTL; Optional: Adobe PostScript Level 2
<b>Drivers</b> AutoCAD  Windows PostScript	R14: Windows 95, NT; R12, 13: DOS, Windows 95, 3.11, 3.1, NT 3.51, 4.0; R10,11: DOS Windows 95, 3.11, 3.1, NT 3.51, 4.0 Windows 95, 3.11, 3.1, NT 3.51, 4.0; Macintosh 7.0 or later; Quickdraw GX 7.5 or later
<b>Interfaces, Standard</b>	Ethernet, LocalTalk, IEEE-1284 compatible Centronics parallel, RS-232-C serial
<b>Interfaces, Optional</b>	HP JetDirect network interface cards
<b>Auto I/O Switching</b>	Yes
<b>Front Panel Display</b>	2 lines × 20 characters; vacuum fluorescent display
<b>Warranty</b>	One year with free onsite service

## Physical Characteristics

<b>Width × Depth × Height / Weight</b>	36-in models 54 × 27 × 47 in / 132 lb 24-in models 42 × 27 × 47 in / 108 lb
<b>Shipping Dimensions / Weight</b>	36-in models 61 × 24 × 36 in / 219 lb 24-in models 50 × 24 × 36 in / 175 lb

## Operating Environment

<b>Temperature</b>	Operating, Optimal 59° to 86° F; Storage -40° to 158° F
<b>Operating Relative Humidity</b>	20% to 80%
<b>Power Requirements</b>	Source 100-240 V AC ±10%; Frequency 50-60 Hz
<b>Power Consumption</b>	140 watts maximum
<b>Acoustics</b>	(Per ISO DP 7779 standard) Printing Idle Sound Pressure Level* 54 dB (A) <20 dB (A) Sound Power Level 6.5 Bels (A) <3.6 Bels (A)

## Product Certifications

<b>Safety</b>	UL listed, CSA certified, NEMKO approved, NOM certified 950 et al
<b>Electromagnetic Interface</b>	FCC Class B certified, EN 55022 (1988), CISPR class B, prEN 55024 -2, -3, -4, C+ VCCI-2, DOC Class B with IEEE 802.3, 802.5 LAN FCC Class A, CISP Class A, DOC Class A, VCCI-1
<b>Telecom</b>	General approved NS/G/1234/5/100003

\* Typical emissions at 1-meter bystander position

## Ordering Information

<b>Description</b>	HP P/N
HP DesignJet 755CM 36-inch model	C3198B
HP DesignJet 750C Plus 36-inch model 24-inch model	C4709B C4708B
HP DesignJet 700 36-inch model 24-inch model	C4706B C4705B
All HP DesignJet 700 Series printers come with User's Guide and Quick Reference, software application notes, drivers, paper and print cartridges.	
<b>Accessories</b>	HP P/N
PostScript Upgrade Kit	C4707A
<b>HP Print Cartridges</b>	
Black	51645A
Cyan	51644C
Yellow	51644Y
Magenta	51644M
<b>SIMM Memory Upgrades</b>	
4 MB	C3132A
8 MB	C3133A
16 MB	C3146A
32 MB	D3578A
<b>Roll feed Spindle Assembly</b>	
24-in model	C3172A
36-in model	C3173A
<b>HP JetDirect network interface cards</b>	
Ethernet (10/100Base-T)	J2556B
Token Ring	J2555B

AutoCAD is a U.S. trademark of Autodesk, Inc. Microsoft and Windows are registered trademarks of Microsoft Corporation in the United States. Adobe and PostScript are U.S. trademarks of Adobe Systems, Inc.

Technical information in this document is subject to change without notice. As an ENERGY STAR<sup>SM</sup> Partner, Hewlett-Packard Company has determined that this product meets Energy Star<sup>SM</sup> guidelines for energy efficiency.

HP DESIGNJET  
HELPING  
the WORLD  
make a



Adobe PostScript